



Sicotte Drilling Tools Inc

Calgary, AB	Medicine Hat, AB
Edmonton, AB	Red Deer, AB
Edson, AB	Fort St. John, BC
Grand Prairie, AB	Swift Current, SK
	Weyburn, SK

Toll Free: 1-866-322-2487

Tel: 1-780-440-6700

www.sicottedrillingtools.com



Proudly Canadian Since 1976

Innovations that Matter

www.sicottedrillingtools.com

Changing the face of hard rock drilling.

Established in 1976, Sicotte Drilling Tools has been a mainstay in the Western Canadian Sedimentary Basin Drilling Industry. Sicotte prides itself on keeping all pertinent industry certifications current and implements their own HSE work safe program. With a full range of PDC, Hole Openers, surplus new & used rerun TCI bits, we can provide products and services for a single well or full scale drilling projects. With a focus on embracing new technology, Sicotte drilling tools is providing a wide range of downhole products by creating value through innovation.

TP Technology

Patented

TP™ (Tapered Profile) bits are designed for maximum lateral stability and extended bit life in hard, abrasive formations. This patented design is targeted at high compressive strength and highly abrasive formations where ROP is of primary importance.

Hyper Stability

TP™ bits feature a two-stage drilling action, utilizing a pilot bit section followed by a reaming section. This provides two gage pads at different diameters to reduce lateral movement. The reaming section of TP™ bits is self-centering, reducing stick/slip events and bit whirl. TP™ bits utilize a spiral cutting structure to reduce linear contact points during rotation.

Reduced Drilling Torque

The same features that make the TP™ Series bits hyper-stable also reduce drilling torque, especially in hard or heavily intercalated formations. The torque values in a typical TP™ bits reflect the value of the pilot diameter coupled with a reamer, rather than the full diameter. The smaller pilot section experiences the formation changes first, while the reamer section enlarges the existing pilot hole, reducing and smoothing torque output.

Reduces Rock Strength

TP™ Series bits utilize a relief area directly behind the pilot bit section. This allows stresses native to the rock to relax into the relief area, reducing their effective hardness. The reamer section of a TP™ bit can then enlarge through rock that has been relieved of in-situ stress.

Higher Bit Weight Capability

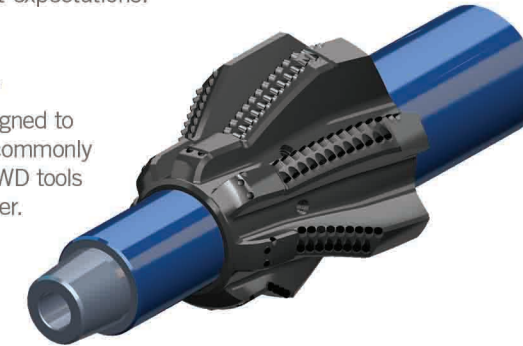
When drilling harder rock, more energy is required. Adding high bit weight to a typical design can produce bit tilt, where the last drill collar leans into the borehole wall, tilting the bit off vertical. By using two separate gage pads at different diameters, the TP™ Series bits are stabilized against bit tilt. This allows a TP™ to function with much higher drilling weight (without near bit stabilization) than conventional design bits.

Not just another bit company

Downhole Tools and manufacturing facilities are located in Canada and Texas, utilizing the latest technology in its PDC development and working closely with all PDC cutter manufacturers to deliver a product that drills faster and with increased durability than ever before. With the capability of rapid custom designs, Sicotte Drilling Tools can adapt each design for formation specific drilling to meet and exceed client expectations.

Eccentric Reamer

TPXR Reamers are designed to drill an oversized hole, commonly run behind RSS and MWD tools as a second stage reamer. Available in Matrix or Steel body



Concentric Reamer

TPCR Reamers are extremely durable hole openers with self centering cutting structures with double row blade construction.



Bicentre

A new generation of bicenter bit, ideal for drilling larger than normal hole through casing ID



Plugmaster™

Utilized for drilling out frac bridge plugs, smaller cuttings, maximum returns and replacing conventional mills.



Matrix & Steel PDC

Standard sizes available with multiple blade and cutter variations offering high ROP, greater meterage and increased durability throughout a wide spectrum of applications. Our current focus is on unique horizontal designs.



Custom Solutions

Tough formation? Multiple bit runs? Not achieving desired build rates? Speak with our experienced operation and design teams and we will engineer a solution to overcome your specific challenges. Leading the industry in a 'Design To Field' time frame. One off's encouraged.



TSK™

Roller Cone

Exclusive distributor of TSK™ from Japan, offering premium tooth and tungsten carbide insert (TCI) rock bits for all oilfield, water well and mining applications from 1 7/8" to 26"

